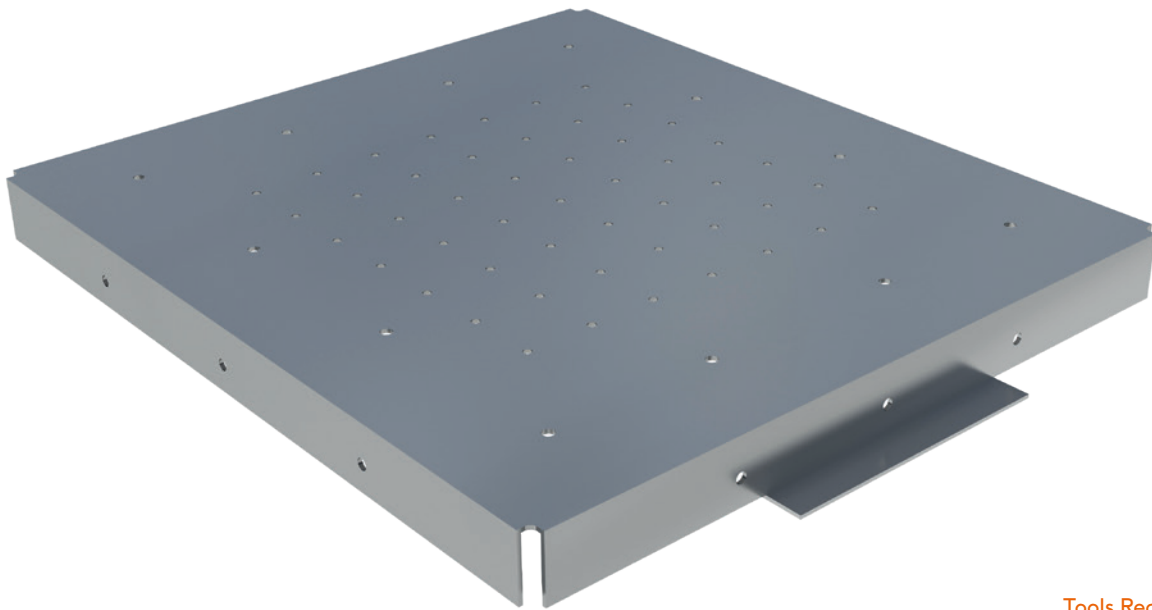


Installation Guide

Reference: IG-SSFSP-0921

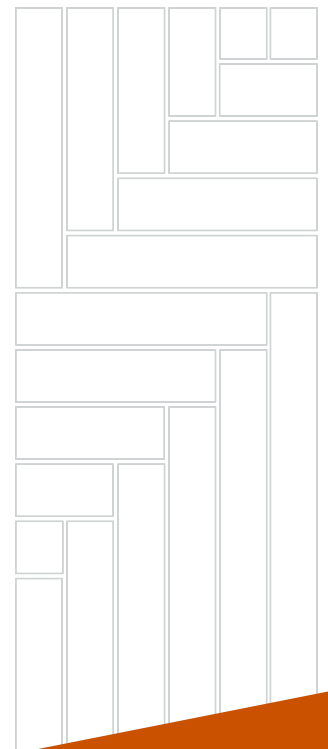


Tools Required

- ✓ String line/Laser line
- ✓ Saw
- ✓ Level
- ✓ Cordless screwdriver (for some applications)
- ✓ Angle grinder/hacksaw (for some applications)

Floor Structure Panel + Adjustable Pedestals

Floor Structure Panel used in conjunction with Raaft Adjustable Pedestals

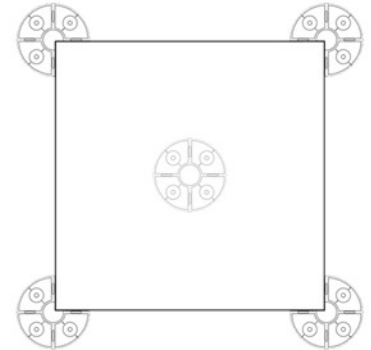


Installation Guide

Floor Structure Panel + Adjustable Pedestals: Floor Structure Panel used in conjunction with Raft Adjustable Pedestals
Reference: IG-SSFSP-0921

1. Determine Quantities

Measure the total area to determine the number of pedestals required. Pedestals should be positioned at all four corners of the tray. In heavy duty applications a pedestal can also be positioned in the centre.



2. Position Pedestals

Use string or laser lines to mark the intersections of the corners of each tray to be laid or to mark the centre line of each bearer/joist.

Adjust any Base Slope or Top Slope Correctors to compensate for any fall in the floor slab. Fit Joists Clips and Spacer Tabs as required.



Base Slope Corrector



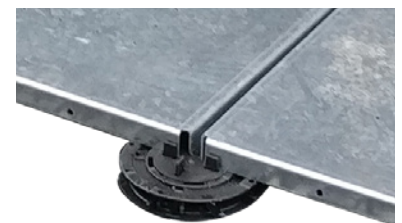
Top Slope Corrector



Spacer Tab

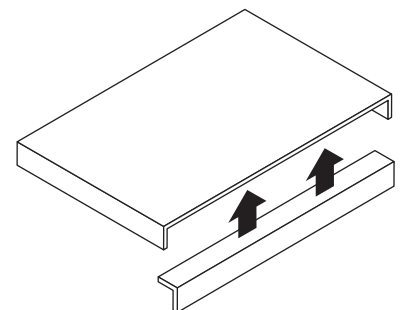
3. Lay Floor Structure Panels.

Install Floor Structure Panels on pedestals starting from a corner and subsequent trays along a wall edge. Ensure the trays are level. Install planters or other surfacing as required.



4. Cutting RoofTrays.

In some instances Floor Structure Panels will need to be cut to size using an angle grinder or hacksaw. Ensure to glue a 45 x 45mm galvanized angle on the edge of tray as demonstrated.



WANT MORE HELP?

Contact our technical support team on +44 (0)20 3146 7879
or email technical@raaft.co

Installation Guide

Floor Structure Panel + Adjustable Pedestals: Floor Structure Panel used in conjunction with Raaft Adjustable Pedestals
Reference: IG-SSFSP-0921

Handling and hazards



HEAVY SEGMENTS!

Requires two persons to lift each segment – or mechanical lifting device.



HEAVY ITEMS!

Wear steel toe protection.



DUST PARTICLES!

Wear dust mask



BE SAFE!

Wear high visibility clothing, hard hats, and any other PPE required on site.

DISCLAIMER

These instructions are for guidance only and the installer is responsible to use their discretion to install the products in the best possible way for their respective application. Raaft Limited will not be held liable for product failure or poor performance as a result of poor quality installation. If any errors are found in this guide please email us at technical@raaft.co.

SUPPORTING DOCUMENTS

More information on the Atria products can be found at www.raaft.co/products/porcelain-tiles.



117-121 St John Street, Clerkenwell, London EC1V 4JA
t: +44 (0)20 3146 7879 e: sales@raaft.co
raaft.co

